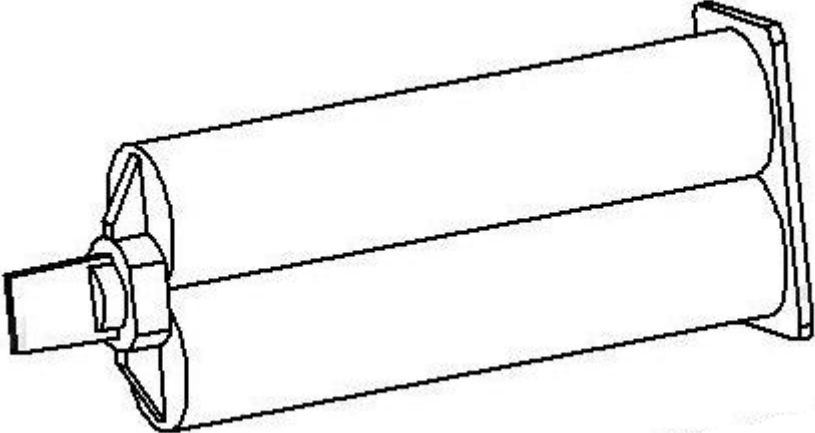



<b>Product Code</b> <b>SDS-332781</b>	<b>Nominal Dimensions</b> N/A	
<b>Description</b> <p>When required, Holocom provides an epoxy solution for Secure Raceway consisting of 3M™ translucent 2-part Epoxy. Epoxy is dispensed using the 3M EPX nozzle (SDS-332784).</p>		
<b>Specifications</b> <ul style="list-style-type: none"> <li>• 3M™ DP100NS Translucent 2-part Epoxy</li> <li>• Dispensed with 3M EPX nozzle (SDS-332784). Sold separately in desired quantity.</li> </ul>		

	HOLOCOM, INC. <a href="mailto:customerservice@holocom.com">customerservice@holocom.com</a> <a href="http://www.holocom.com">www.holocom.com</a>	<b>PRODUCT CODE:</b> <b>SDS-332781</b>	<b>TITLE:</b> <b>SECURE RACEWAY 3M™ EPOXY</b>
<small>All material contained in this document is the property of Holocom, Inc. and may not be reproduced or transmitted (including electronically) without the written consent of Holocom, Inc. Holocom and the Holocom logo are registered trademarks of Holocom, Inc. Other noted marks are trademarks of their respective companies. Holocom products protected by US Pats. D619,097; D632,763; D580,871; 7,608,780; 7,661,375; 7,183,488; 7,115,814; 7,053,303; 7,049,517; 6,838,616; 5,831,211 and pats pending. Made in the U.S.A. Copyright © 2009-2013 Holocom, Inc. All rights reserved.</small>			