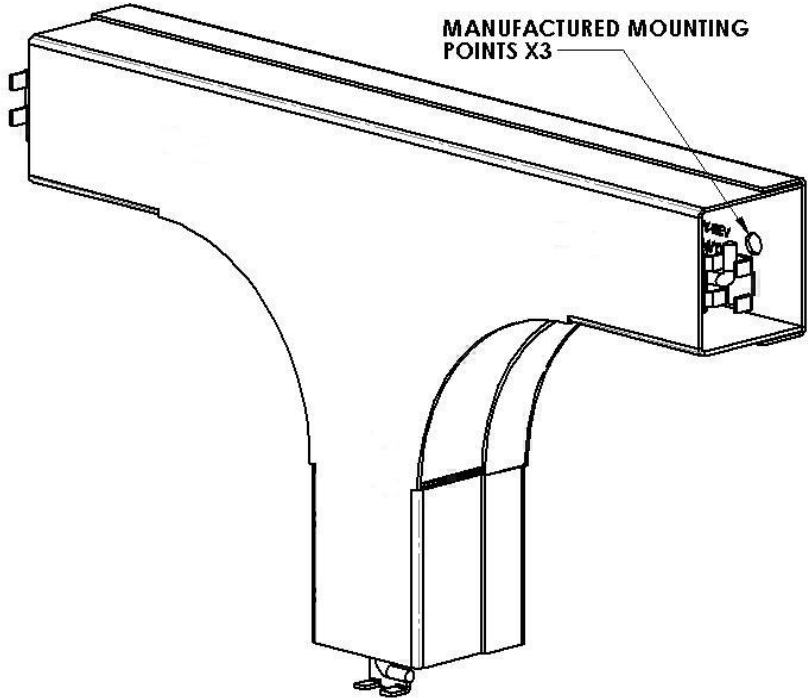



Product Code SDS-CT-3WY	Nominal Dimensions N/A	
Description The T-shaped Three-Way Connector provides a right-angle turn along a wall and is often used to provide a connection between the main Secure Raceway and the drop to an end-user enclosure. This two-piece connector consists of a base and cover which come apart through the double-action spring-lock mechanism. Three manufactured mounting points on the base allow a simplified, labor-saving mounting technique.		
Specifications <ul style="list-style-type: none"> • 16-gauge electro-galvanized steel • Weight: 4 lbs • Double-action spring-lock mechanism • Three (3) manufactured mounting points located along connector center line Powder Coat Finish: White Textured		

	HOLOCOM, INC. customerservice@holocom.com www.holocom.com	PRODUCT CODE: SDS-CT-3WY	TITLE: THREE-WAY CONNECTOR
All material contained in this document is the property of Holocom, Inc. and may not be reproduced or transmitted (including electronically) without the written consent of Holocom, Inc. Holocom and the Holocom logo are registered trademarks of Holocom, Inc. Other noted marks are trademarks of their respective companies. Holocom products protected by US Pats. 7,183,488; 7,115,814; 7,053,303; 7,049,517; 6,838,616; 5,831,211 and Pats. pending. Made in the U.S.A. Copyright © 2008 Holocom, Inc. All rights reserved.			