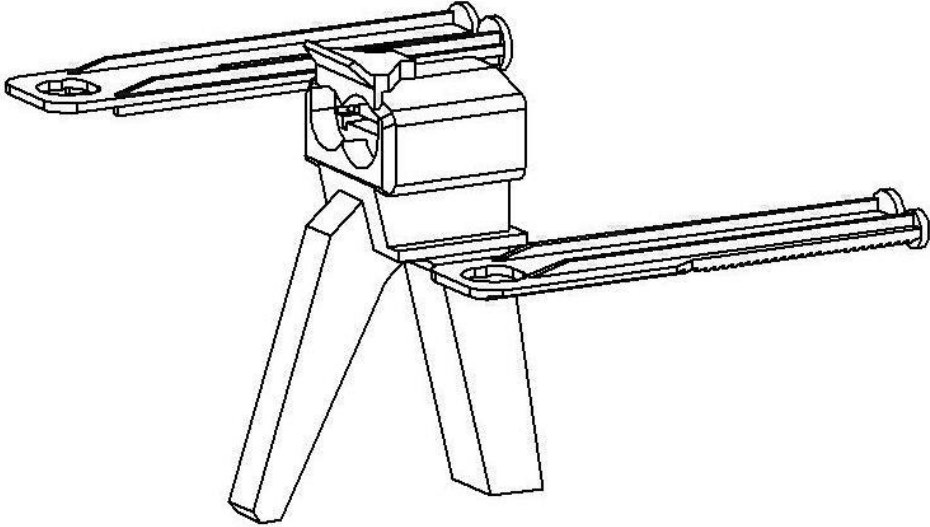



Product Code SDS-GN-EXY	Nominal Dimensions N/A	
Description The Holocom Epoxy Gun, a 3M™ EPX applicator, specifically works with 3M DP two-part epoxy dispensers and is used in applying 3M Epoxy to the Secure Raceway.		
Specifications <ul style="list-style-type: none"> • Plastic • Weight: 1 lb Kit includes: <ul style="list-style-type: none"> • One (1) - Applicator • One (1) - 1:1 Plunger • One (1) - 2:1 Plunger 		

	HOLOCOM, INC. customerservice@holocom.com www.holocom.com	PRODUCT CODE: SDS-GN-EXY	TITLE: EPOXY GUN
		All material contained in this document is the property of Holocom, Inc. and may not be reproduced or transmitted (including electronically) without the written consent of Holocom, Inc. Holocom and the Holocom logo are registered trademarks of Holocom, Inc. Other noted marks are trademarks of their respective companies. Holocom products protected by US Pats. 7,183,488; 7,115,814; 7,053,303; 7,049,517; 6,838,616; 5,831,211 and Pats. pending. Made in the U.S.A. Copyright © 2008 Holocom, Inc. All rights reserved.	