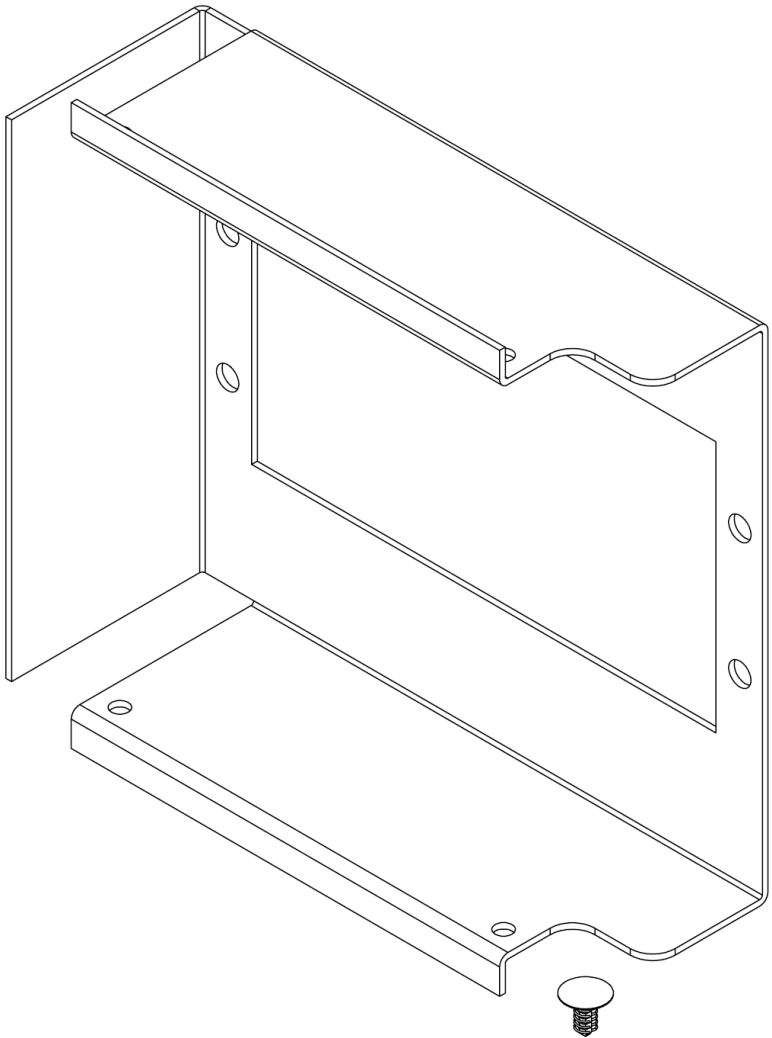



Product Code SDS-IN-RTF-03	Nominal Dimensions 6" x 6" x 2"	
Description The Retrofit Insert – Back Plate (RTF) 03 is constructed of powder coated 16-gauge, electro-galvanized steel and fits into 12-gauge High Security Enclosure SEC-WM-885-H5. This new addition to the Holocom PDS product suite improves installation efficiency by eliminating the need to order and install surface mount boxes. The addition of the Retrofit Insert – Back Plate reduces installation time and provides a cleaner look inside the enclosure. The RTF includes six nylon tree push-in rivets for attaching the RTF to the SEC-WM-885-H5 Enclosure. The cut-out supports two (2) horizontal Corning Closet Connector Housing Panels (CCH-CP).		
Specifications <ul style="list-style-type: none"> • Height 6.2" x Width 6" x Depth 1.9" • 16-gauge electro-galvanized steel • Weight .65 lbs • Designed to fit High Security Enclosure SEC-WM-885-H5 • Six (6) nylon tree push-in rivets for enclosure attachment <p>Powder Coat Finish: White Textured</p>		

	HOLOCOM, INC. customerservice@holocom.com www.holocom.com	PRODUCT CODE: SDS-IN-RTF-03	TITLE: RETROFIT INSERT – BACK PLATE 885-H5
<p>All material contained in this document is the property of Holocom, Inc. and may not be reproduced or transmitted (including electronically) without the written consent of Holocom, Inc. Holocom and the Holocom logo are registered trademarks of Holocom, Inc. Other noted marks are trademarks of their respective companies. Holocom products protected by US Pats. 8,733,798; 7,661,375; 7,608,780; 7,183,488; 7,115,814; 7,053,303; 7,049,517; 6,838,616; 5,831,211; 632,763; 619,097; 580,871 and patents pending. Made in the U.S.A. Copyright © 2015 Holocom, Inc. All rights reserved.</p>			