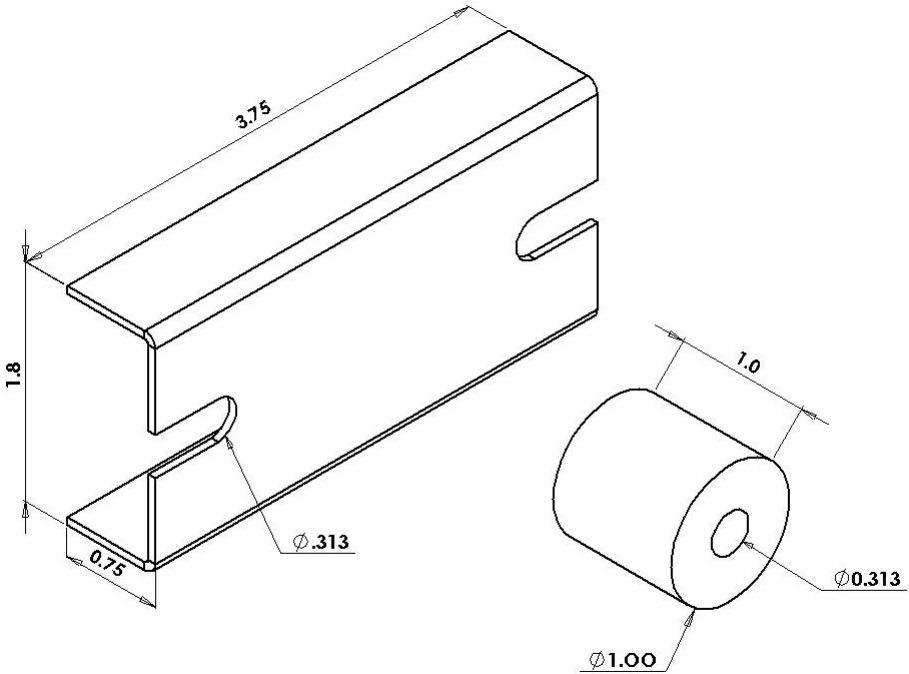



Product Code SDS-RW-AKT-03	Dimensions N/A	
Description The Raceway Attachment Kit contains two components: Secure Raceway Joint (SRJ) and Secure Raceway Spacer. The SRJ, which replaces the Bridge in the former Raceway Attachment Kit, covers and adds rigidity to all Secure Raceway end joints. Secure Raceway Spacers are used as a standoff to provide 360-degree inspection of Holocom Secure Raceway. When combined with the proper Hardware Kit, the Raceway Attachment Kit provides the material necessary to securely attach 100 feet of Holocom Secure Raceway to the wall.		
Specifications Each Raceway Attachment Kit (03) contains: <ul style="list-style-type: none"> • Fifty (50) Secure Raceway Joints (SRJ) • One Hundred (100) Nylon 6/6 White Raceway Spacers Total Weight: 13 lb		

	HOLOCOM, INC. customerservice@holocom.com www.holocom.com	PRODUCT CODE: SDS-RW-AKT-03	TITLE: RACEWAY ATTACHMENT KIT (03)
All material contained in this document is the property of Holocom, Inc. and may not be reproduced or transmitted (including electronically) without the written consent of Holocom, Inc. Holocom and the Holocom logo are registered trademarks of Holocom, Inc. Other noted marks are trademarks of their respective companies. Holocom products protected by US Pats. 7,183,488; 7,115,814; 7,053,303; 7,049,517; 6,838,616; 5,831,211 and Pats. pending. Made in the U.S.A. Copyright © 2008 Holocom, Inc. All rights reserved.			