

Product Code
SDS-TW-002-12
SDS-TW-002-24

Nominal Dimensions
 2" X 12" and 2" X 24"

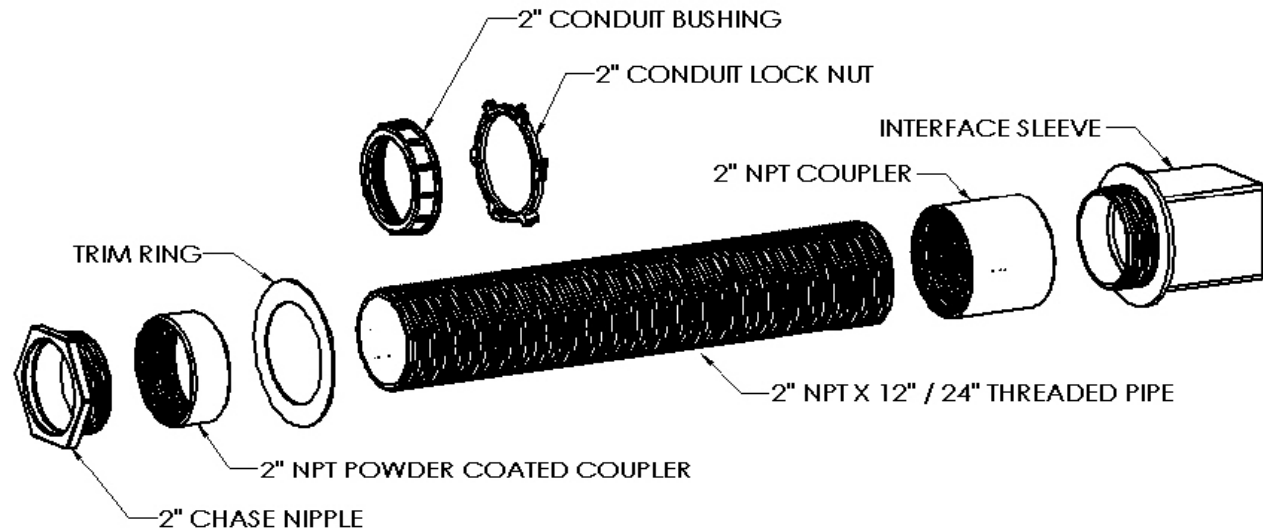
Description

The updated #2 Through-Wall Kit provides a two-inch through-wall pathway from:

- Secure Large Carrier (SLC) Raceway to SDS 2"x2" Raceway
- SDS 2"x2" Raceway to a Holocom High Security Enclosure

The newer components provide maximum inside diameter, smoother cable movement, and powder-coated trim ring and coupler for a more finished appearance.

 [Installation Instructions](#)



Specifications

12"	24"
<ul style="list-style-type: none"> Galvanized steel threaded pipe Total weight: 4 lbs 	<ul style="list-style-type: none"> Galvanized steel threaded pipe Total weight: 7 lbs
Through-Wall Kit includes:	Through-Wall Kit includes:
<ul style="list-style-type: none"> One (1) – 2" x 12" NPT threaded pipe One (1) – 2" conduit bushing One (1) – 2" conduit lock nut One (1) – 2" NPT coupler One (1) interface sleeve One (1) 2" NPT powder-coated coupler One (1) trim ring One (1) 2" Chase nipple 	<ul style="list-style-type: none"> One (1) – 2" x 24" NPT threaded pipe One (1) – 2" conduit bushing One (1) – 2" conduit lock nut One (1) – 2" NPT coupler One (1) interface sleeve One (1) 2" NPT powder-coated coupler One (1) trim ring One (1) 2" Chase nipple



Holocom, Inc.
www.holocom.com

PRODUCT CODE:

SDS-TW-002-12 / SDS-TW-002-24

TITLE:

#2 THROUGH-WALL KIT

All material contained in this document is the property of Holocom, Inc. and may not be reproduced or transmitted (including electronically) without the written consent of Holocom, Inc. Holocom and the Holocom logo are registered trademarks of Holocom, Inc. Other noted marks are trademarks of their respective companies. Holocom products protected by US Pats. D619,097; D632,763; D580,871; 7,608,780; 7,661,375; 7,183,488; 7,115,814; 7,053,303; 7,049,517; 6,838,616; 5,831,211 and pats pending. Made in the U.S.A. Copyright © 2012 Holocom, Inc. All rights reserved.