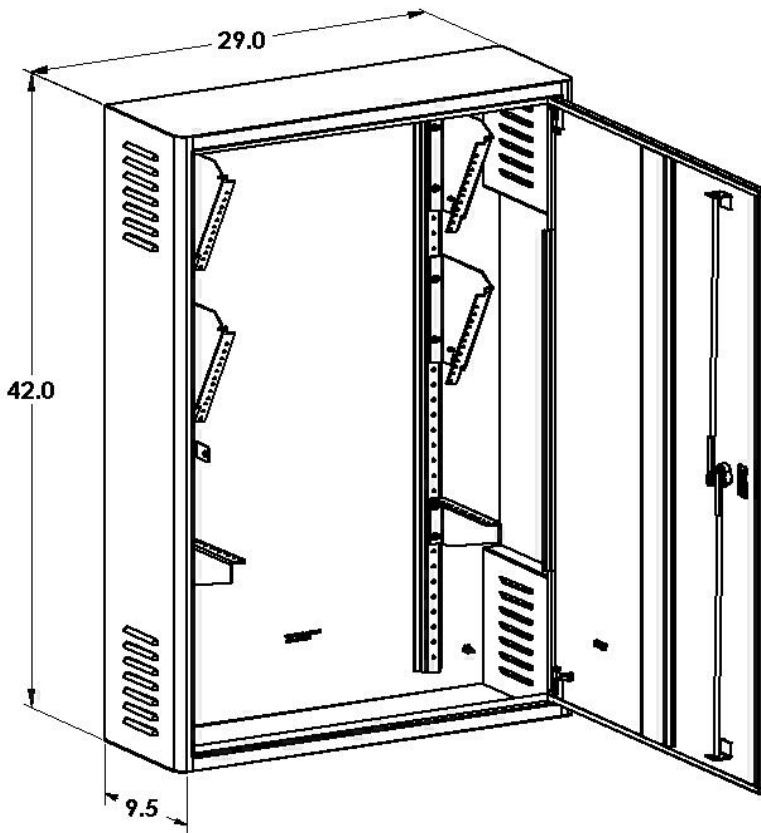



Product Code SEC-WM-04U-H1	Nominal Dimensions 42" x 29" x 9.5"	
Description The lockable "04U" enclosure mounts on a wall and serves as a mini-telecommunications room. The 04U can accommodate up to 4U of active electronics. It includes two (2) patch panel brackets with moveable mounting plates for easier access behind the panel and one (1) equipment bracket. The 04U can be used for termination and distribution/routing of high-security communications systems in a classified environment and is an excellent substitute for traditional 19" racks. It is designed to house telecom equipment and prevent unauthorized access.		
Specifications <ul style="list-style-type: none"> • Height 42" x Width 29" x Depth 9.5" • 16-gauge electro-galvanized steel with welded seams • Weight: 94 lbs • Single door with 3-point locking system and padlock hasp for the Sargent and Greenleaf® padlock • Tamper-resistant design with welded internal hinges • Protected venting louvers • Fan kit accessory sold separately (AGW-FANKITR) <p>Secure Enclosure includes:</p> <ul style="list-style-type: none"> • Two (2) – 4U patch panel brackets • One (1) – 4U equipment bracket <p>Powder Coat Finish: White Textured</p>		

	HOLOCOM, INC. customerservice@holocom.com www.holocom.com	PRODUCT CODE: SEC-WM-04U-H1	TITLE: SECURE WALL MOUNT ENCLOSURE—4U DEPTH
		All material contained in this document is the property of Holocom, Inc. and may not be reproduced or transmitted (including electronically) without the written consent of Holocom, Inc. Holocom and the Holocom logo are registered trademarks of Holocom, Inc. Other noted marks are trademarks of their respective companies. Holocom products protected by US Pats. D580,871; 7,608,780; 7,183,488; 7,115,814; 7,053,303; 7,049,517; 6,838,616; 5,831,211; 7,661,375 B2; D619,097 S and Pats. pending. Made in the U.S.A. © 2011 Holocom, Inc. All rights reserved.	