

Product Code SEC-WM-UDB3-H1	Dimensions 7.5" x 6" x 4"
--	-------------------------------------

Description

The 16-gauge High Security User Drop Box 3 (UDB3) provides physical security for single or multiple network connections and was designed specifically for use with Holocom Secure Mini Dukt™. The UDB3 mounts securely on walls and restricts access to the cable termination point. The UDB3 top opening perfectly positions Secure Mini Dukt™ for a one-inch standoff using Holocom Secure Raceway Spacers (SDS-RW-SPR-WT and in Attachment Kits SDS-RW-AKT-03). Built-in back plate /cable manager and manufactured mounting points provide additional installation efficiency. The door locks securely using Holocom's patented locking system and a Sargent & Greenleaf® padlock.

Specifications

Enclosure

- Height 7.5" x Width 6" x Depth 4"
- 16-gauge electro-galvanized steel
- Weight 4.0 lbs
- 1" NPT opening accommodates Secure Mini Dukt™ installation
- Two labor-saving, manufactured mounting points

Door Assembly

- Single drop-down door with security padlock hasp
- Tamper resistant design with welded internal spring hinge

Back Plate

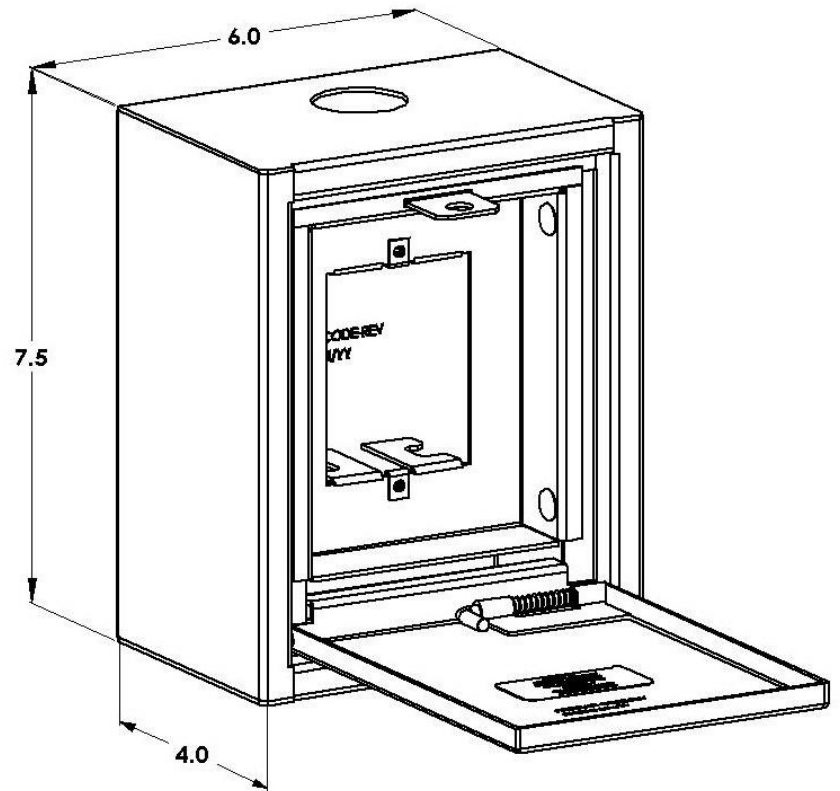
- Integrated tension relief cable management wrap
- Removable

Accessories

- Sargent & Greenleaf® padlock (supplied separately)

Powder Coat Finish: White Textured

¹ Compatible with most US single-gang faceplates. Angled connectors recommended.



HOLOCOM, INC.
customerservice@holocom.com
www.holocom.com

PRODUCT CODE:
SEC-WM-UDB3-H1

TITLE:
 USER DROP BOX 3 (UDB3)

All material contained in this document is the property of Holocom, Inc. and may not be reproduced or transmitted (including electronically) without the written consent of Holocom, Inc. Holocom and the Holocom logo are registered trademarks of Holocom, Inc. Other noted marks are trademarks of their respective companies. Holocom products protected by US Pats. 7,183,488; 7,115,814; 7,053,303; 7,049,517; 6,838,616; 5,831,211 and Pats. pending. Made in the U.S.A. Copyright © 2008 Holocom, Inc. All rights reserved.