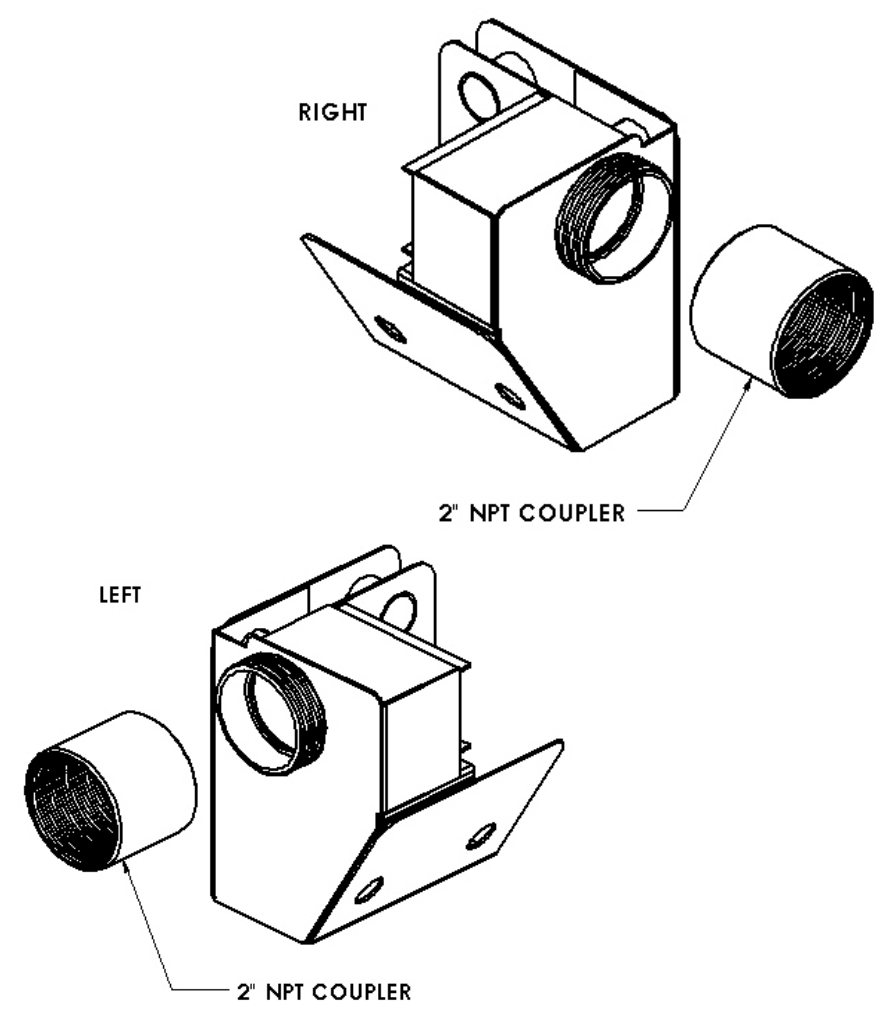



Product Code SLC-TWK-REC-LT SLC-TWK-REC-RT	Nominal Dimensions N/A	
Description <p>The dual function Secure Large Carrier™ Through-Wall Run End Connector provides a solution for ending a section of Secure Large Carrier™ (SLC) Raceway within a hallway or room and offers an integrated 2" through-wall to transition to 2" x 2" Secure Raceway or other Holocom PDS component. Two manufactured mounting points allow simplified, labor-saving installation. The upper mounting point aligns with the mounting point on the end of the adjoining SLC Raceway. Four (4) integrated one-inch spacers stand the connector and raceway off the wall and allow 360° inspection. Use in conjunction with SLC Secure Raceway Joint (SLC-RW-SRJ) and #2 Through-Wall Kit (SDS-TW-002-12/24). Use the Left Connector for raceway runs that end to the left. Use the Right Connector for raceway runs that end to the right.</p>		
Specifications <ul style="list-style-type: none"> • 16-gauge electro-galvanized steel • One 2" NPT coupler supplied with each connector • Two (2) manufactured mounting points • Four (4) integrated one-inch spacers • Use with Secure Large Carrier™ Raceway (SLC-WM-RCW-ST-20) and Secure Raceway Joint (SLC-RW-SRJ), and #2 Through-Wall Kit (SDS-TW-002-12/24) • Packaged and sold individually • Weight 3.9 lbs <p>Powder Coat Finish: White Textured</p>		

	Holocom, Inc. www.holocom.com	PRODUCT CODE: SLC-TWK-REC-LT/RT	TITLE: SECURE LARGE CARRIER™ THROUGH-WALL RUN END CONNECTOR LEFT/RIGHT
<p>All material contained in this document is the property of Holocom, Inc. and may not be reproduced or transmitted (including electronically) without the written consent of Holocom, Inc. Holocom and the Holocom logo are registered trademarks of Holocom, Inc. Other noted marks are trademarks of their respective companies. Holocom products protected by US Pats. D580,871; 7,608,780; 7,661,375; 7,183,488; 7,115,814; 7,053,303; 7,049,517; 6,838,616; 5,831,211 and pats pending. Made in the U.S.A. Copyright © 2011 Holocom, Inc. All rights reserved.</p>			