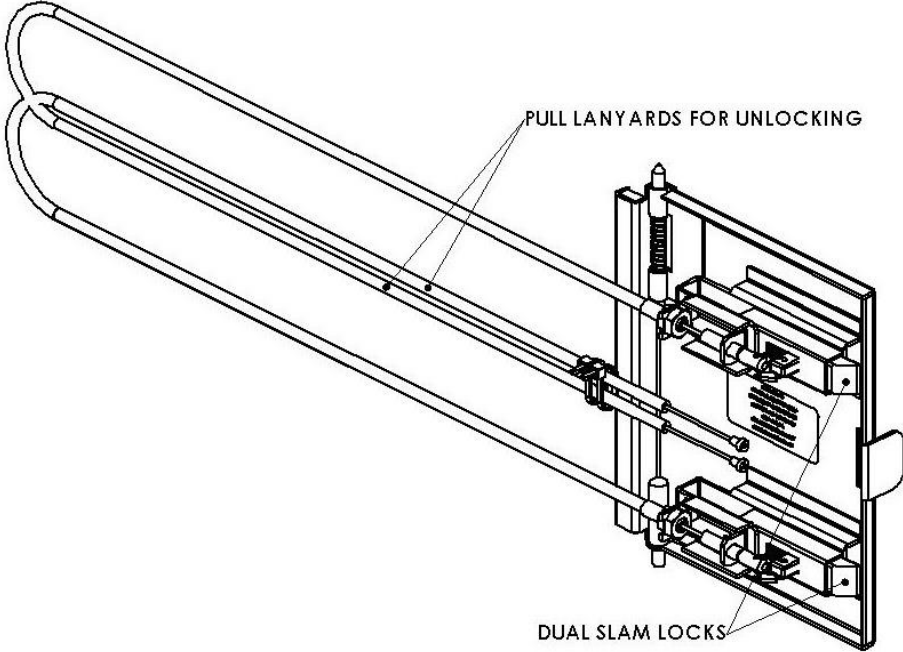



Product Code SLD-RTF-764	Nominal Dimensions N/A		
Description The Retrofit Slam Lock Door for SEC-WM-764-H1 offers customers an alternative door to the one supplied with the 764 Enclosure (SEC-WM764-H1). The Slam Lock Door closes securely and eliminates the need to use a Sargent & Greenleaf® High Security Padlock. Two pull lanyards release each slam lock and are accessible by unlocking the Holocom Secure Raceway.			
Specifications <ul style="list-style-type: none"> • 16-gauge electro-galvanized steel door • Weight 1.5 lbs • Replaces door supplied with 764 Enclosure (SEC-WM-764-H1) □ • Two slam locks connect to two pull lanyards for unlocking door • Eliminates the need for a Sargent & Greenleaf® padlock. <p>Powder Coat Finish on Door: White Textured</p>		PRODUCT CODE: SLD-RTF-764	TITLE: RETROFIT SLAM LOCK DOOR for SEC-WM-764-H1
		<p>All material contained in this document is the property of Holocom, Inc. and may not be reproduced or transmitted (including electronically) without the written consent of Holocom, Inc. Holocom and the Holocom logo are registered trademarks of Holocom, Inc. Other noted marks are trademarks of their respective companies. Holocom products protected by US Pats. 7,183,488; 7,115,814; 7,053,303; 7,049,517; 6,838,616; 5,831,211 and patents pending. Made in the U.S.A. Copyright © 2009/2010 Holocom, Inc. All rights reserved.</p>	