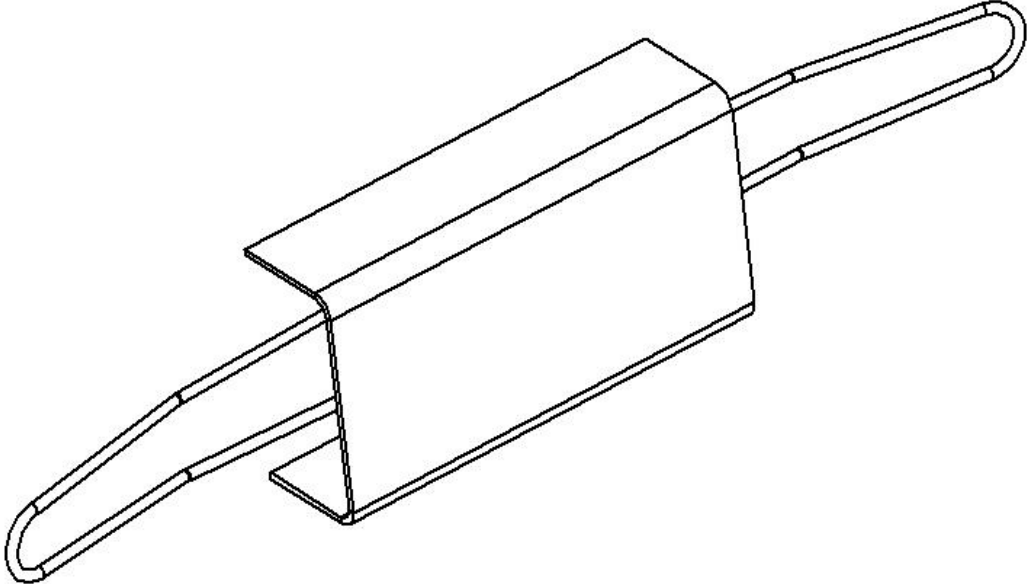



Product Code SMC-CT-EE6	Nominal Dimensions N/A	
Description The Secure Medium Carrier End-To-End Connector securely joins two sections of Secure Medium Carrier TopCap, or Secure Medium Carrier Connector (SMC-UNI-4WY-CT, SMC-CT-OFF-X) cover and TopCap.		
Specifications <ul style="list-style-type: none"> • 16-gauge electro-galvanized steel • Weight: 1 lb • Packaged individually Powder Coat Finish: White Textured		

	Holocom, Inc. www.holocom.com	PRODUCT CODE: SMC-CT-EE6 All material contained in this document is the property of Holocom, Inc. and may not be reproduced or transmitted (including electronically) without the written consent of Holocom, Inc. Holocom and the Holocom logo are registered trademarks of Holocom, Inc. Other noted marks are trademarks of their respective companies. Holocom products protected by US Pats. 8,733,798; 7,661,375; 7,608,780; 7,183,488; 7,115,814; 7,053,303; 7,049,517; 6,838,616; 5,831,211; 632,763; 619,097; 580,871 and patents pending. Made in the U.S.A. Copyright © 2015 Holocom, Inc. All rights reserved.	TITLE: SECURE MEDIUM CARRIER END-TO-END CONNECTOR
---	---	---	---