

<b>Product Code</b> <b>SMD-WM-T50</b>	<b>Nominal Dimensions</b> 60" x 1.5" x 1"
--	--

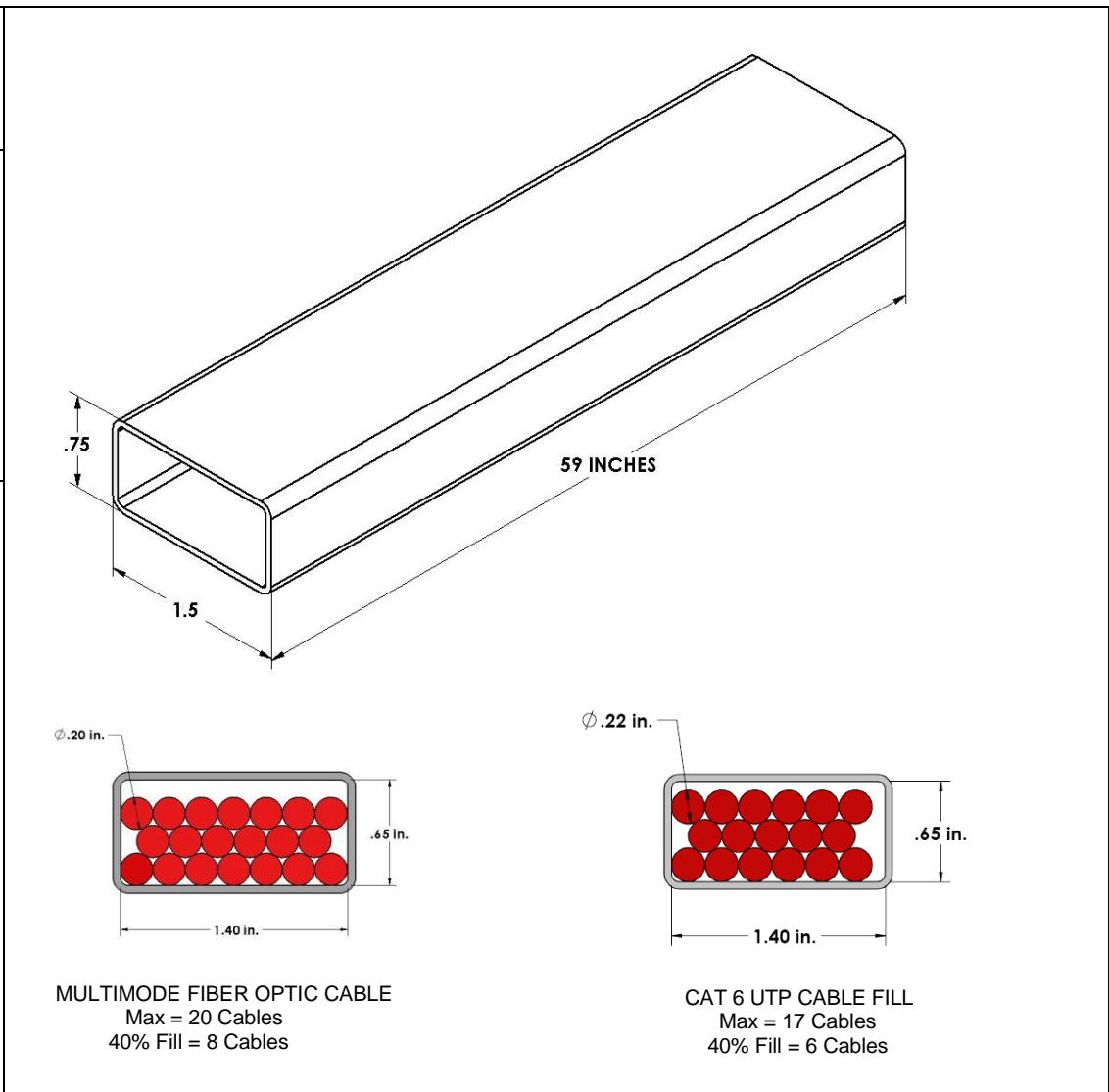
**Description**

The wall-mounted Secure Mini Dukt™ Tube is a reduced profile cable carrier that provides a smaller footprint on the wall without compromising sufficient cable capacity. Constructed of 18-gauge steel, the single-piece Tube encloses and protects secure network cables and integrates with Holocom PDS Secure Raceway. With the addition of other Secure Mini Dukt™ components, the Tube can transition from Secure Raceway to a User Drop Box. The Tube comes in five-foot sections in a nominal 50-foot kit.

**Specifications**

- 18-gauge electro-galvanized steel
- Length 59" x Width 1.5" x Height .75"
- Supplied in 10 sections in a nominal 50-foot kit
- Total weight: 41 lbs

Powder Coat Finish: White Textured



Holocom, Inc.  
2386 Faraday Avenue, Suite 200  
Carlsbad, CA 92008  
Tel: (760) 804-9545 Fax: (760) 804-9149  
[www.holocom.com](http://www.holocom.com)

**PRODUCT CODE:**  
**SMD-WM-T50**

**TITLE:**  
**SECURE MINI DUKT™: TUBE**

All material contained in this document is the property of Holocom, Inc. and may not be reproduced or transmitted (including electronically) without the written consent of Holocom, Inc. Holocom and the Holocom logo are registered trademarks of Holocom, Inc. Other noted marks are trademarks of their respective companies. Holocom products protected by US Pats. 7,183,488; 7,115,814; 7,053,303; 7,049,517; 6,838,616; 5,831,211 and patents pending. Made in the U.S.A. Copyright © 2009 Holocom, Inc. All rights reserved.